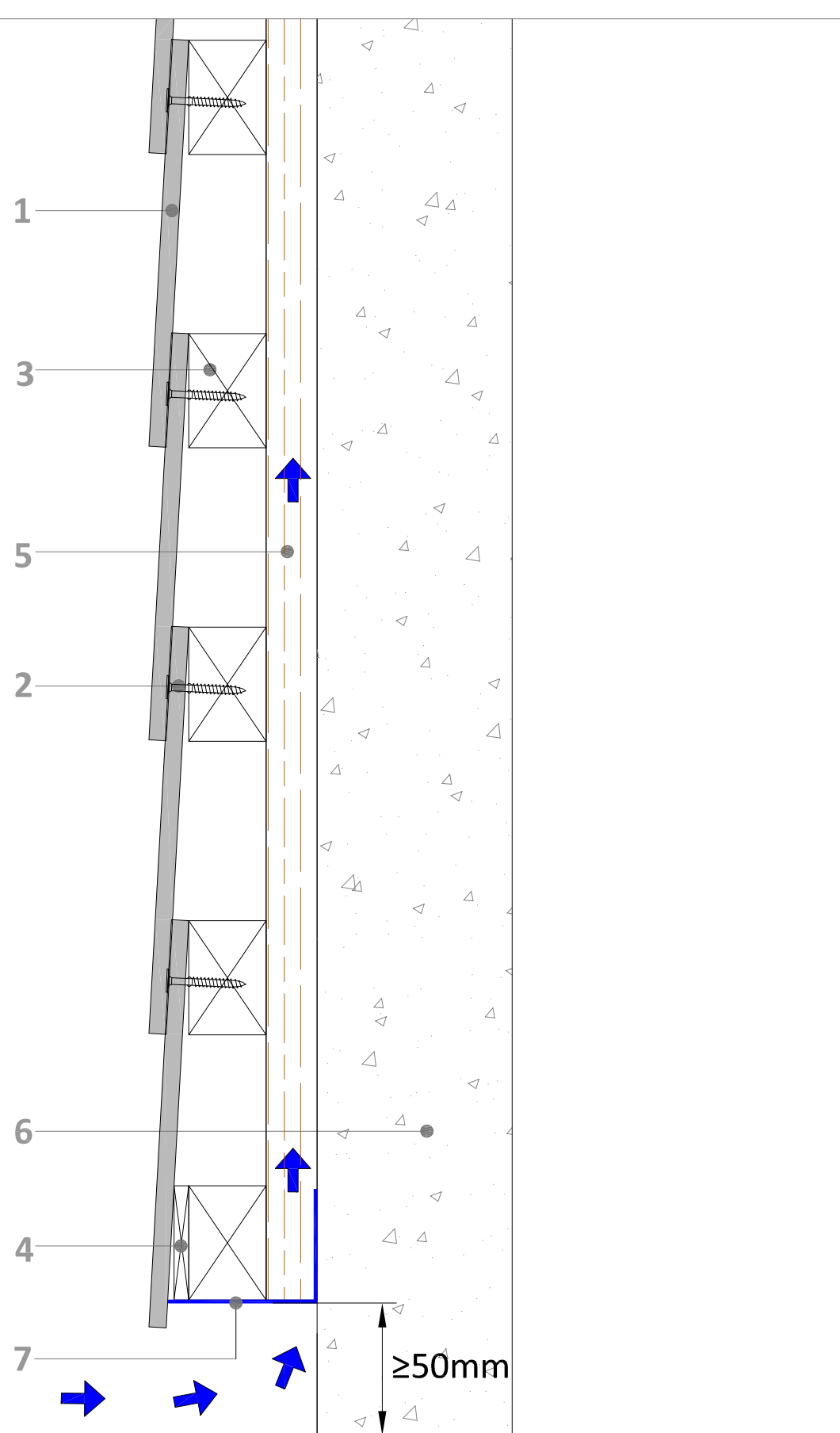


- 1. CUPA natural slate
- 2. Special screw CUPACLAD 101
- 3. Horizontal batten 38x56mm min.
- 4. Vertical batten 25x50mm min.
- 5. Supporting wall

Horizontal and vertical section



1. CUPA natural slate

2. Special screw CUPACLAD 101

3. Horizontal batten

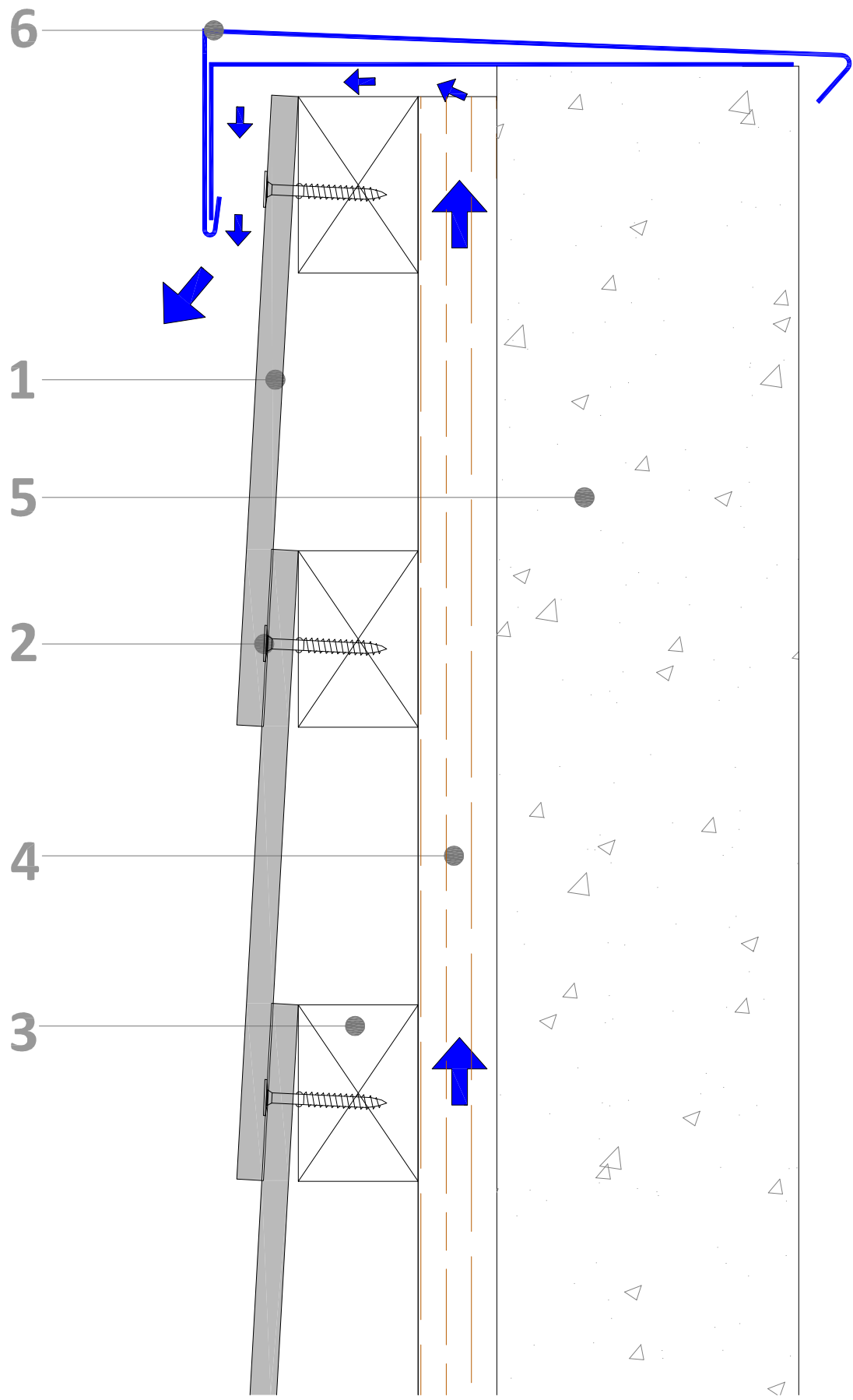
4. Additional batten of thickness 10mm

5. Vertical batten

6. Supporting wall

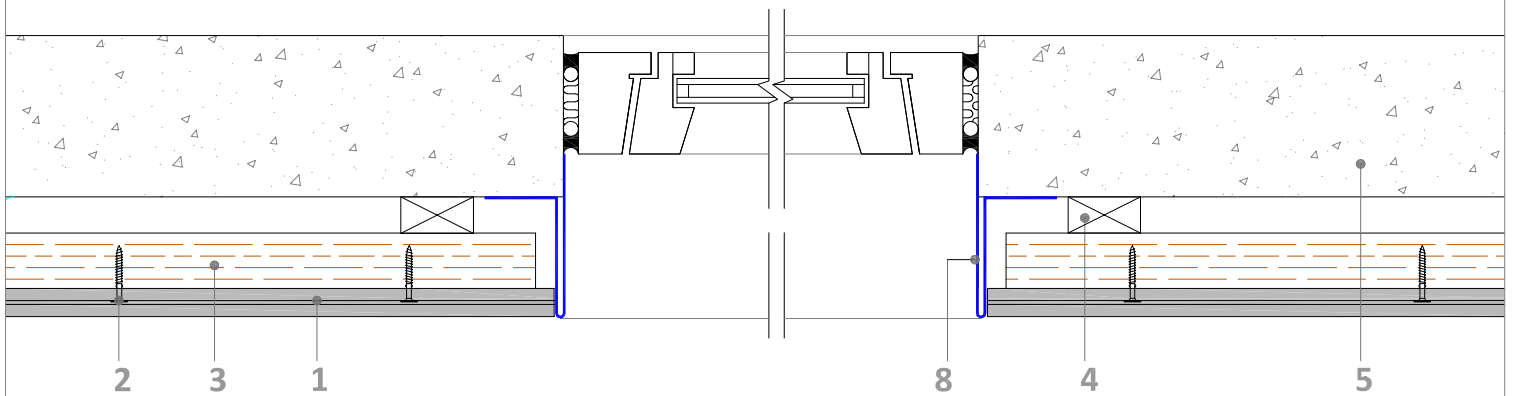
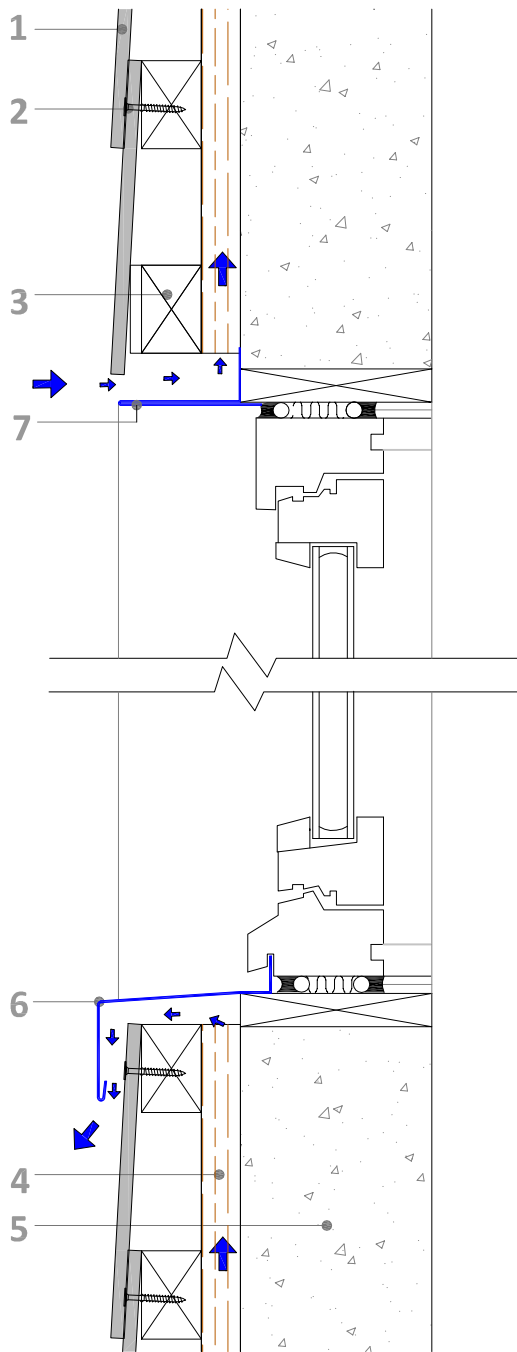
7. Ventilation grill

≥50mm



- 1. CUPA natural slate
- 2. Special screw CUPACLAD 101
- 3. Horizontal batten

- 4. Vertical batten
- 5. Supporting wall
- 6. Coping flashing



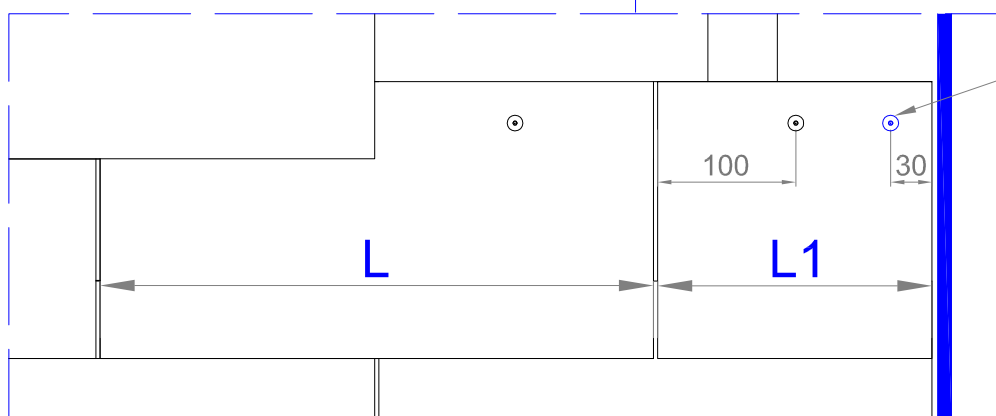
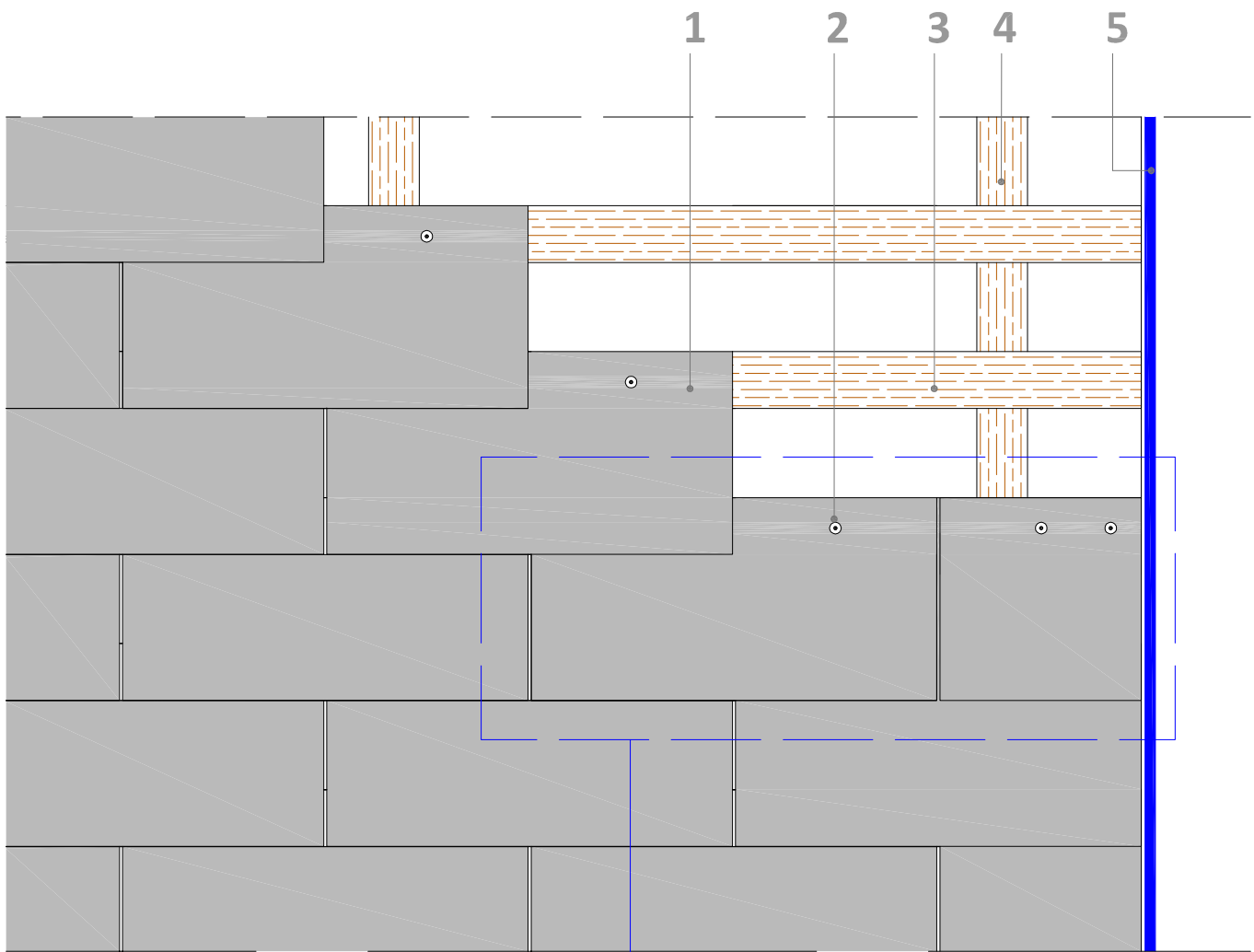
- 1. CUPA natural slate
- 2. Special screw CUPACLAD 101
- 3. Horizontal batten
- 4. Vertical batten

- 5. Supporting wall
- 6. Sill flashing
- 7. Lintel flashing
- 8. Jamb flashing

CUPACLAD 101

Window frame details





Required additional
fixing if
 $L1 < L-100$

1. CUPA natural slate
2. Special screw CUPACLAD 101
3. Horizontal batten
4. Vertical batten
5. Lateral flashings

